

Scaled data based on original data using  
LM-79-08 Approved Method: Electrical and Photometric Measurements of Solid-State  
Lighting Products

Test Report Prepared for  
Cooper Lighting Solutions  
(formerly Eaton)

Brand: STREETWORKS

Report Number: P571650

Luminaire Tested: **UFLD-CA2-150-730-U-66-TS2\_UFLD**

Issue Date: 9/21/2021

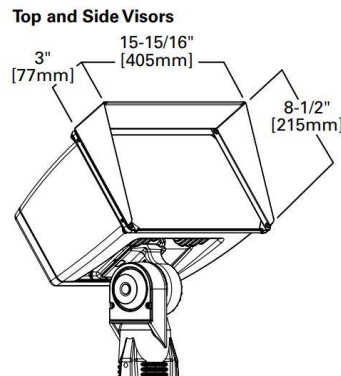
**Test Information**

Test Method: LM-79-08  
Report Number: P571650  
TEST IS SCALED FROM IESNA LM-79-08 TEST DATA (G2-2109-378-4)  
Test Lab: COOPER LIGHTING SOLUTIONS  
Issue Date: 9/21/2021  
Manufacturer: COOPER LIGHTING SOLUTIONS (FORMERLY EATON)  
Product Line: STREETWORKS  
Catalog Number: UFLD-CA2-150-730-U-66-TS2\_UFLD  
Description: FLOOD LIGHT, 6x6 OPTIC WITH TOP AND SIDE VISOR  
Light Source: (2) 3000K CCT, 70 CRI LEDS  
Ballast/Driver: -

**Summary**

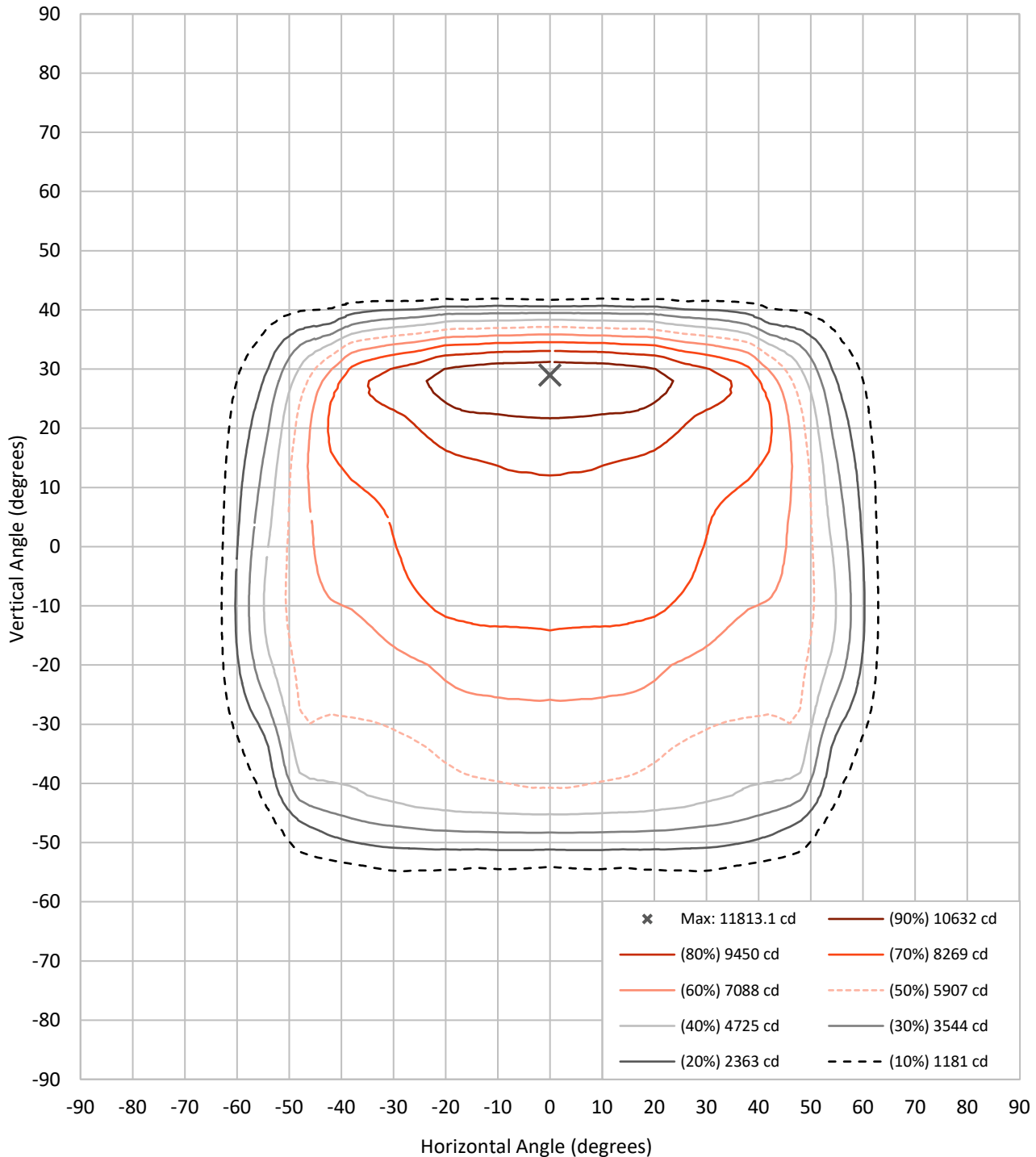
Lumens per Lamp:	N/A	NEMA Type:	6H x 5V
Luminaire Lumens:	19524 lumens	Max Intensity:	11813.1 candela
Efficiency:	N/A	Max Intensity Angle:	0°H x 29°V
Efficacy:	129.0 lumens/watt		
Luminous Opening:	Rectangular (W 1.25' x L: 0.67' x H: 0')		
Beam Angle (50%):	91.9°H x 77.9°V	Field Angle (10%):	119.5°H x 95.8°V
Beam Lumens:	15031 lumens	Field Lumens:	19025.4 lumens
Beam Efficiency:	77.0%	Field Efficiency:	97.4%

Input Watts (W): 151.3  
Input Voltage (V): 120  
Input Current (Ain): NR  
Voltage Rise (V): NR  
Power Factor: NR  
Total Harmonic Distortion (THDi): NR  
Frequency (hertz): 60  
Stabilization Time: NR  
Operation Time: NR  
Ambient Temperature (°C): NR  
Test Distance: 25 FT



REPORT NUMBER: P571650  
CATALOG NUMBER: UFLD-CA2-150-730-U-66-TS2\_UFLD

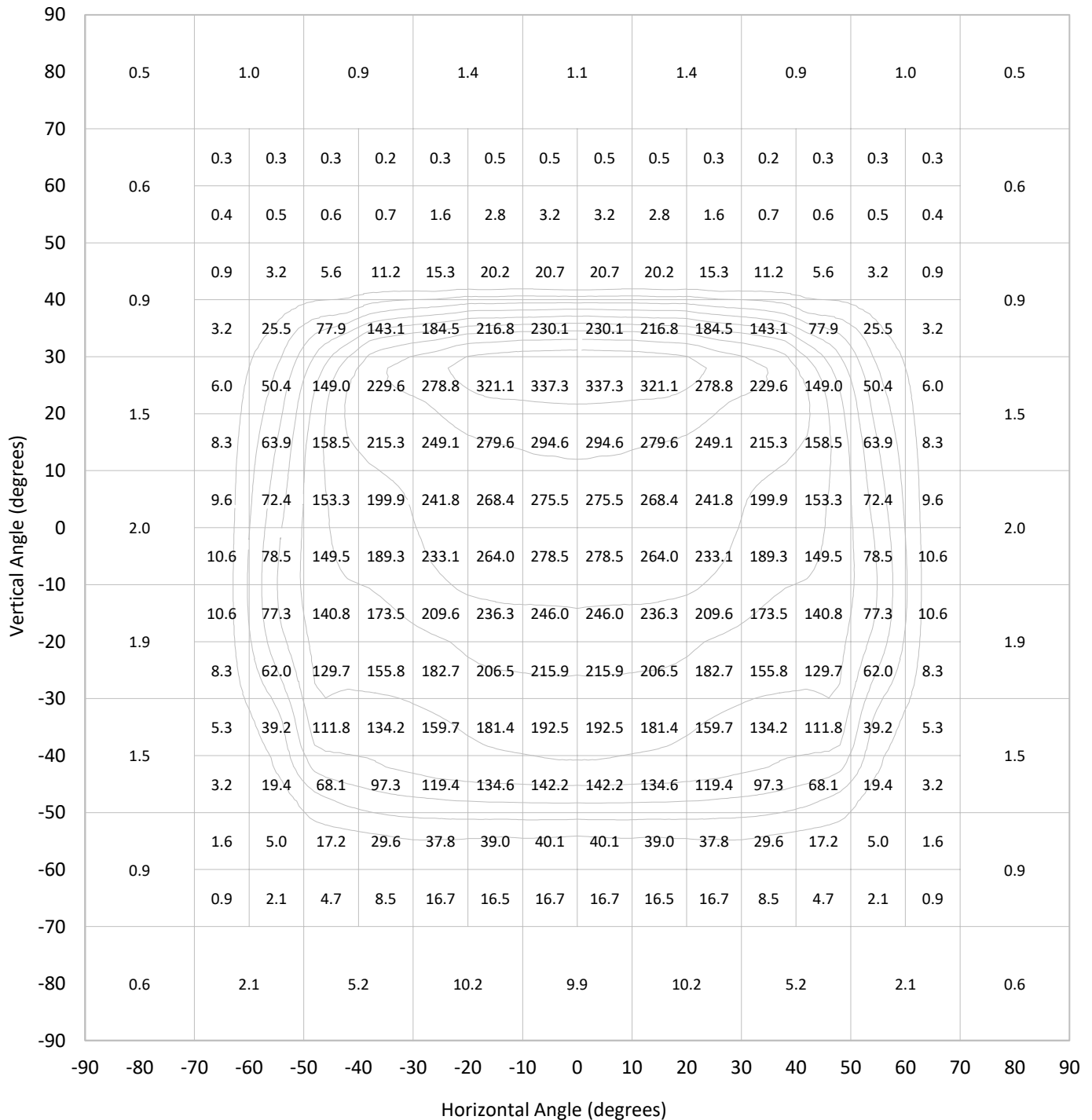
### Iso-Candela Plot





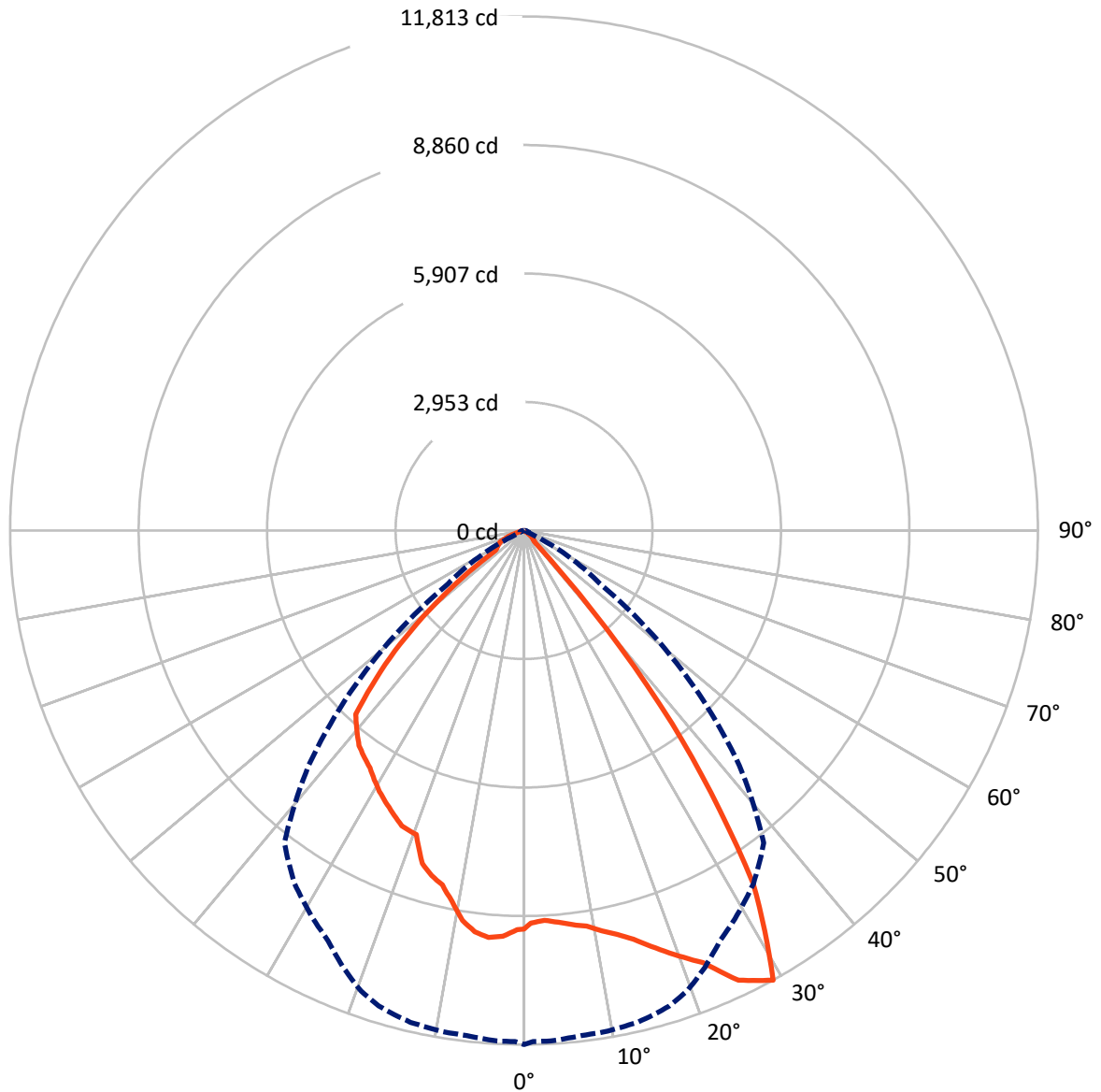
REPORT NUMBER: P571650  
 CATALOG NUMBER: UFLD-CA2-150-730-U-66-TS2\_UFLD

### Lumen Table



REPORT NUMBER: P571650  
CATALOG NUMBER: UFLD-CA2-150-730-U-66-TS2\_UFLD

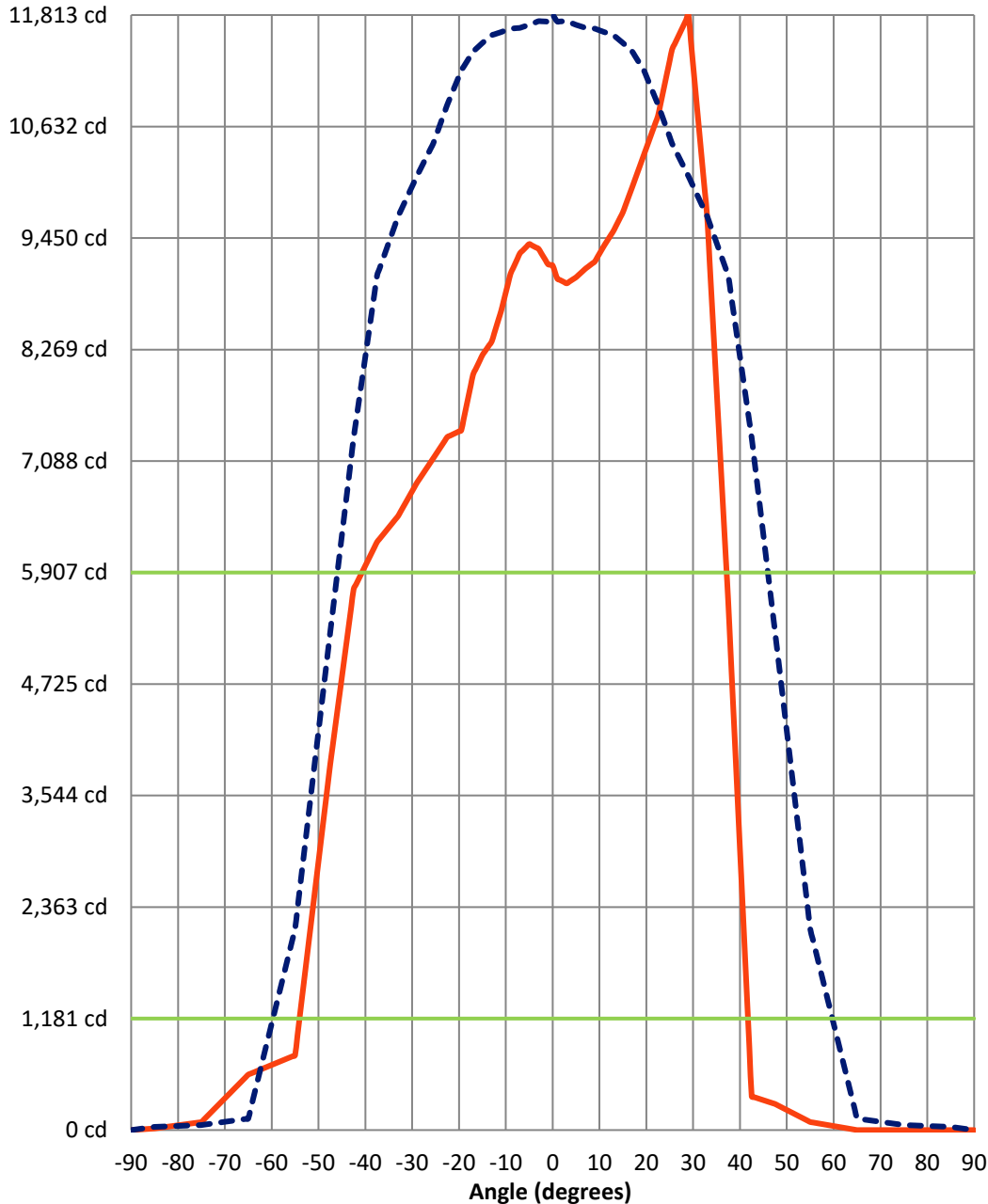
### Luminous Intensity Polar Plot



— Vertical Distribution Through 0-Deg      - - - Horizontal Distribution Through 29-Deg

REPORT NUMBER: P571650  
 CATALOG NUMBER: UFLD-CA2-150-730-U-66-TS2\_UFLD

### Luminous Intensity Plot



**Beam:**  
 H Angle: 91.9°  
 V Angle: 77.9°  
 Lumens: 15031  
 Efficiency: 77.0%

**Field:**  
 H Angle: 119.5°  
 V Angle: 95.8°  
 Lumens: 19025.4  
 Efficiency: 97.4%

**Spill:**  
 Lumens: 498.6  
 Efficiency: 2.6%

— Vertical Distribution through 0-Deg  
 - - - Horizontal Distribution through 29-Deg



REPORT NUMBER: P571650  
 CATALOG NUMBER: UFLD-CA2-150-730-U-66-TS2\_UFLD

FIELD  
 BEAM

**CANDELA DISTRIBUTION:**

	0°	1°	3°	5°	7°	9°	11°	13°	15°	17°	19.5°
90°	0.0	0.0	0.0	0.0	0.0	0.0	0.0	0.0	0.0	0.0	0.0
85°	0.0	5.3	13.3	16.9	17.8	19.5	19.5	21.3	21.3	20.4	19.5
75°	0.0	1.8	5.3	8.0	9.8	11.6	12.4	12.4	12.4	11.6	11.6
65°	0.0	0.9	3.6	5.3	7.1	8.0	8.0	8.9	8.9	8.9	8.0
55°	85.3	88.0	86.2	85.3	85.3	83.5	80.0	74.6	68.4	69.3	64.9
47.5°	276.3	273.6	274.5	272.8	270.1	262.1	257.7	254.1	251.4	250.5	239.0
42.5°	357.2	368.7	402.5	474.4	550.8	632.6	637.0	574.8	499.3	416.7	580.2
37.5°	5587.6	5673.8	5560.0	5529.8	5379.7	5411.7	5385.0	5300.6	5294.4	5342.4	5283.7
33°	9671.9	9703.8	9644.3	9628.3	9597.2	9597.2	9563.5	9412.4	9303.1	9235.6	9214.3
29°	11813.1	11743.8	11748.2	11709.1	11677.1	11669.1	11632.7	11599.8	11517.2	11425.7	11225.8
25.5°	11448.8	11413.2	11430.1	11365.3	11353.7	11305.7	11310.2	11265.8	11205.3	11110.3	10897.0
22.5°	10746.0	10750.5	10747.8	10714.0	10701.6	10658.1	10605.6	10595.9	10590.5	10521.2	10365.7
19.5°	10334.6	10291.1	10276.0	10298.2	10260.9	10205.8	10146.3	10106.3	10058.3	10038.8	9981.0
17°	9991.7	9945.5	9965.9	9934.0	9909.1	9837.1	9774.0	9719.8	9695.0	9660.3	9575.9
15°	9723.4	9687.0	9680.7	9656.7	9675.4	9587.4	9550.1	9503.9	9453.3	9402.6	9334.2
13°	9527.0	9535.9	9520.8	9457.7	9486.2	9416.0	9369.8	9311.1	9268.5	9222.3	9184.1
11°	9370.7	9382.2	9321.8	9319.1	9332.5	9240.9	9227.6	9159.2	9135.2	9139.7	9037.5
9°	9201.0	9226.7	9248.1	9219.6	9199.2	9162.8	9141.4	9116.6	9071.2	9078.4	9052.6
7°	9125.4	9104.1	9098.8	9139.7	9107.7	9073.0	9036.6	9049.9	9058.8	9083.7	9052.6
5°	9034.8	9047.3	9055.3	9030.4	9025.9	9039.3	9016.2	9042.8	9050.8	9228.5	9283.6
3°	8970.0	9016.2	8992.2	8962.0	8983.3	9003.7	9051.7	9056.1	9142.3	9246.3	9276.5
1°	9019.7	9052.6	9055.3	9055.3	9076.6	9142.3	9147.7	9174.3	9237.4	9280.9	9304.9
0°	9159.2	9138.8	9151.2	9132.6	9184.1	9217.8	9222.3	9201.0	9247.2	9394.7	9394.7
-1°	9173.4	9182.3	9218.7	9228.5	9215.2	9256.9	9192.1	9197.4	9219.6	9306.7	9225.0
-3°	9336.0	9338.7	9334.2	9337.8	9316.5	9304.9	9259.6	9223.2	9170.8	9088.1	9018.8
-5°	9387.5	9393.8	9370.7	9360.0	9312.0	9234.7	9210.7	9148.5	9063.3	8970.9	8904.2
-7°	9288.0	9289.8	9215.2	9235.6	9156.5	9067.7	9006.4	8920.2	8858.9	8769.2	8702.5
-9°	9071.2	9039.3	8987.7	8971.7	8897.1	8787.8	8704.3	8639.5	8608.4	8555.9	8571.0
-11°	8678.5	8652.8	8655.4	8611.9	8555.0	8507.1	8466.2	8439.5	8420.9	8398.7	8366.7
-13°	8355.1	8341.8	8297.4	8310.7	8282.3	8292.1	8300.9	8290.3	8268.1	8238.8	8192.6
-15°	8210.3	8199.7	8180.1	8165.0	8162.3	8162.3	8158.8	8154.4	8134.8	8062.0	7990.9
-17°	8003.3	7976.7	7974.9	7970.4	7960.7	7966.0	7955.3	7936.7	7931.3	7882.5	7813.2
-19.5°	7414.3	7427.6	7425.8	7445.4	7424.0	7460.5	7473.8	7474.7	7447.1	7416.0	7358.3
-22.5°	7342.3	7301.4	7306.8	7318.3	7297.9	7289.9	7286.3	7289.9	7262.3	7225.9	7132.6
-25.5°	7116.6	7132.6	7133.5	7110.4	7114.0	7117.5	7075.8	7073.1	7045.5	7005.6	6904.3
-29°	6856.3	6866.1	6843.9	6845.6	6808.3	6792.3	6743.5	6715.0	6669.7	6643.1	6544.4
-33°	6505.4	6527.6	6507.1	6500.9	6464.5	6436.1	6395.2	6374.8	6302.8	6237.9	6164.2
-37.5°	6229.9	6205.1	6198.8	6211.3	6163.3	6147.3	6108.2	6074.4	6023.8	5960.7	5867.4
-42.5°	5728.8	5760.8	5749.3	5712.8	5692.4	5632.0	5608.0	5577.8	5558.3	5548.5	5442.7
-47.5°	3872.8	3889.7	3884.4	3871.9	3858.6	3853.3	3827.5	3807.1	3802.6	3786.6	3736.0
-55°	792.5	812.9	828.1	865.4	881.4	904.5	883.1	843.2	836.0	919.6	912.5
-65°	587.3	584.6	581.9	579.3	574.8	573.1	577.5	581.1	578.4	589.9	613.0
-75°	84.4	83.5	86.2	87.1	80.9	80.9	94.2	91.5	95.1	95.1	96.0
-85°	16.9	15.1	16.9	24.9	25.8	29.3	32.0	34.7	35.5	35.5	35.5
-90°	0.0	0.0	0.0	0.0	0.0	0.0	0.0	0.0	0.0	0.0	0.0



REPORT NUMBER: P571650  
 CATALOG NUMBER: UFLD-CA2-150-730-U-66-TS2\_UFLD

**CANDELA DISTRIBUTION (continued):**

	22.5°	25.5°	29°	33°	37.5°	42.5°	47.5°	55°	65°	75°	85°
90°	0.0	0.0	0.0	0.0	0.0	0.0	0.0	0.0	0.0	0.0	0.0
85°	17.8	16.0	14.2	12.4	10.7	11.6	13.3	16.9	24.0	27.5	30.2
75°	10.7	9.8	8.9	8.9	8.9	10.7	12.4	16.0	23.1	26.7	31.1
65°	8.0	7.1	6.2	6.2	6.2	8.0	12.4	16.9	24.0	27.5	31.1
55°	58.6	42.6	24.0	24.9	24.9	25.8	26.7	22.2	27.5	30.2	32.0
47.5°	203.5	143.9	87.1	68.4	68.4	59.5	51.5	39.1	50.6	32.9	32.0
42.5°	570.4	261.2	419.4	448.7	389.1	174.1	229.2	260.3	64.9	37.3	32.9
37.5°	4851.9	4645.8	4368.6	4137.6	3608.1	2277.1	2059.5	905.3	77.3	42.6	32.9
33°	8890.0	8413.8	8181.9	7702.1	7333.4	5367.2	4142.0	1540.6	101.3	48.0	33.8
29°	10863.3	10451.9	10105.4	9679.8	9051.7	7333.4	5272.2	2131.4	121.7	53.3	33.8
25.5°	10568.3	10234.3	9898.4	9583.9	9246.3	8097.5	5967.8	2557.9	141.3	59.5	33.8
22.5°	10065.4	9700.3	9389.3	9204.5	9013.5	8348.0	6339.2	2855.5	159.9	65.7	34.7
19.5°	9683.4	9358.2	9073.0	8884.7	8867.8	8392.5	6546.2	3097.2	182.1	76.4	34.7
17°	9336.9	9069.5	8841.1	8755.0	8797.6	8277.0	6697.3	3297.1	202.6	83.5	34.7
15°	9103.2	8892.7	8707.9	8687.4	8659.0	8146.4	6810.1	3466.8	219.5	87.1	34.7
13°	8997.5	8811.8	8667.9	8648.3	8484.0	7992.7	6871.4	3622.3	232.8	89.7	34.7
11°	8874.0	8750.5	8675.0	8520.4	8290.3	7799.0	6875.8	3757.3	246.1	94.2	34.7
9°	8895.3	8734.5	8614.6	8372.0	8101.0	7701.2	6875.8	3879.9	243.4	96.8	34.7
7°	8905.1	8755.0	8507.1	8224.5	7952.7	7604.4	6893.6	4001.7	231.9	100.4	34.7
5°	8951.3	8733.6	8453.8	8109.0	7830.9	7535.1	6835.9	4126.0	227.4	103.1	34.7
3°	8954.0	8731.9	8431.6	7994.4	7745.7	7469.3	6828.8	4232.7	226.6	104.0	35.5
1°	8956.6	8723.0	8362.3	7880.7	7672.8	7436.5	6819.0	4351.7	229.2	104.0	35.5
0°	8943.3	8683.0	8332.9	7852.3	7627.5	7411.6	6830.5	4414.8	231.0	102.2	35.5
-1°	8928.2	8628.8	8261.0	7812.3	7592.8	7401.8	6818.1	4477.0	231.0	101.3	35.5
-3°	8817.1	8539.9	8193.4	7775.0	7532.4	7343.2	6771.9	4583.6	238.1	101.3	35.5
-5°	8701.6	8440.4	8121.5	7674.6	7458.7	7271.2	6784.3	4646.7	241.7	101.3	35.5
-7°	8587.0	8314.3	8020.2	7630.2	7350.3	7162.8	6751.5	4728.4	242.6	100.4	35.5
-9°	8400.5	8164.1	7851.4	7467.6	7209.0	7082.9	6739.9	4769.3	244.3	100.4	35.5
-11°	8243.2	7962.4	7679.9	7325.4	7072.2	6950.5	6684.8	4764.0	246.1	99.5	35.5
-13°	8023.7	7773.2	7516.4	7182.4	6954.9	6799.4	6628.9	4732.0	245.2	100.4	35.5
-15°	7825.6	7580.4	7321.9	7059.8	6823.4	6639.5	6545.3	4659.1	245.2	100.4	35.5
-17°	7624.8	7387.6	7145.1	6892.7	6691.9	6545.3	6483.1	4521.4	243.4	99.5	35.5
-19.5°	7175.3	6994.9	6843.9	6706.1	6537.3	6365.9	6385.4	4271.7	237.2	99.5	35.5
-22.5°	6948.7	6764.8	6611.1	6472.5	6339.2	6169.5	6282.4	3893.3	227.4	97.7	35.5
-25.5°	6743.5	6566.7	6408.5	6270.8	6180.2	6076.2	6189.1	3402.8	217.7	96.0	35.5
-29°	6396.1	6250.4	6119.8	5982.9	5910.1	5866.5	6039.8	2747.1	210.6	92.4	34.7
-33°	6009.6	5885.2	5757.3	5572.5	5494.3	5495.2	5688.9	1926.2	206.1	87.1	34.7
-37.5°	5737.7	5600.0	5409.0	5204.6	5061.6	5087.4	5126.5	1506.8	208.8	79.1	34.7
-42.5°	5301.5	5227.7	4996.7	4796.8	4535.6	4270.9	3876.4	1125.7	183.0	65.7	34.7
-47.5°	3706.7	3600.1	3502.3	3391.3	3148.7	2710.7	2071.9	445.1	163.5	51.5	34.7
-55°	967.5	956.0	1018.2	936.4	766.7	572.2	498.4	170.6	123.5	44.4	34.7
-65°	666.4	692.1	543.7	361.6	183.0	155.5	242.6	92.4	67.5	39.1	33.8
-75°	93.3	83.5	65.7	69.3	72.9	68.4	62.2	38.2	38.2	35.5	32.9
-85°	34.7	32.9	32.0	31.1	29.3	27.5	27.5	28.4	32.0	34.7	32.9
-90°	0.0	0.0	0.0	0.0	0.0	0.0	0.0	0.0	0.0	0.0	0.0





REPORT NUMBER: P571650  
CATALOG NUMBER: UFLD-CA2-150-730-U-66-TS2\_UFLD

**CANDELA DISTRIBUTION (continued):**

	90°
90°	0.0
85°	0.0
75°	0.0
65°	0.0
55°	0.0
47.5°	0.0
42.5°	0.0
37.5°	0.0
33°	0.0
29°	0.0
25.5°	0.0
22.5°	0.0
19.5°	0.0
17°	0.0
15°	0.0
13°	0.0
11°	0.0
9°	0.0
7°	0.0
5°	0.0
3°	0.0
1°	0.0
0°	0.0
-1°	0.0
-3°	0.0
-5°	0.0
-7°	0.0
-9°	0.0
-11°	0.0
-13°	0.0
-15°	0.0
-17°	0.0
-19.5°	0.0
-22.5°	0.0
-25.5°	0.0
-29°	0.0
-33°	0.0
-37.5°	0.0
-42.5°	0.0
-47.5°	0.0
-55°	0.0
-65°	0.0
-75°	0.0
-85°	0.0
-90°	0.0

(END OF REPORT)